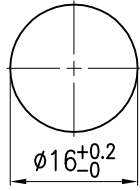
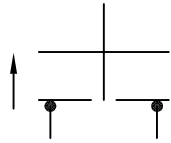
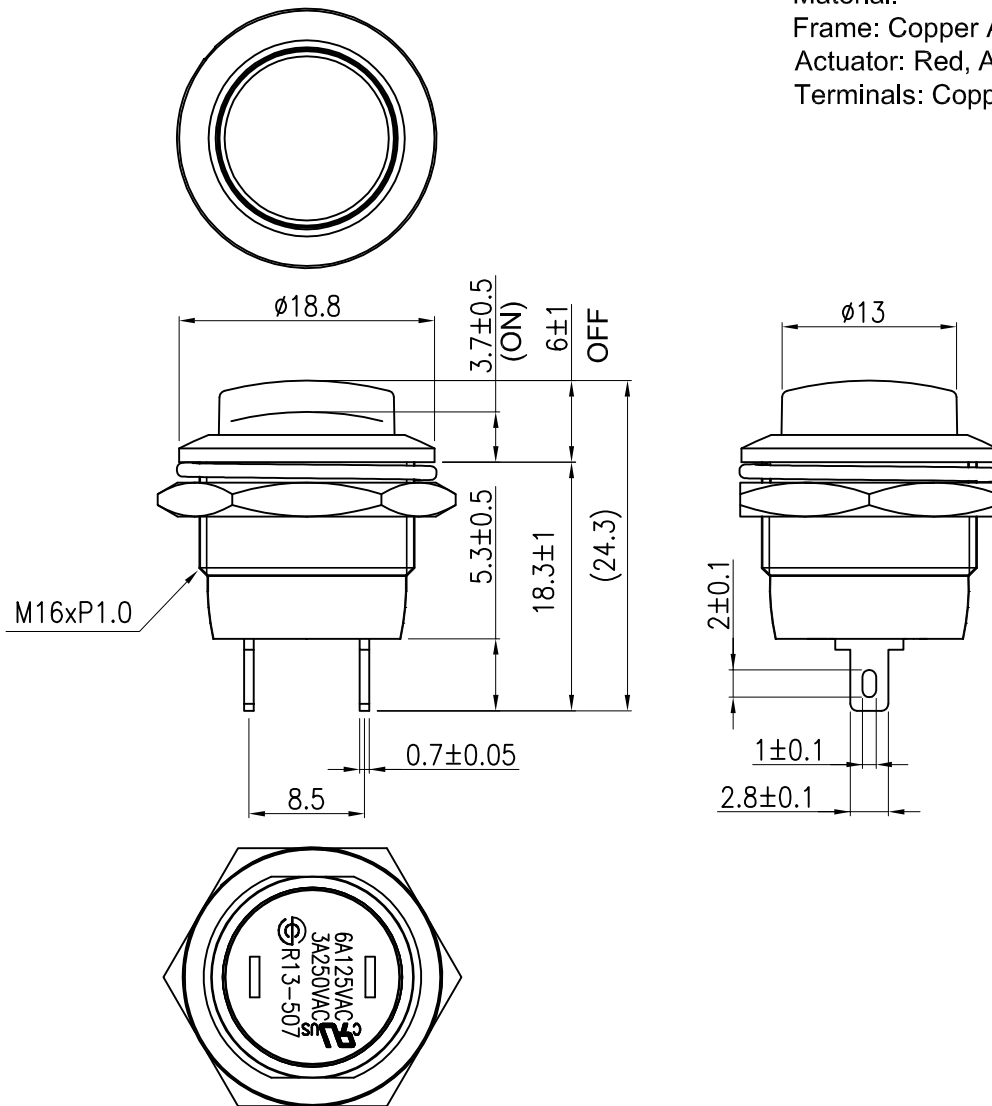


Rating	6A 125VAC, 3A 250VAC	<b>Mounting Hole</b> 	<b>Circuit Diagram</b> 
Contact Resistance	50m ohm Max.		
Insulation Resistance	DC 500V 100M ohm Min.		
Dielectric Strength	AC 1000V 1minute		
Switch Function	2P SPST OFF-(ON)		

Material:  
 Frame: Copper Alloy, Cr-Plating  
 Actuator: Red, ABS  
 Terminals: Copper Alloy



1、Tolerances Unless Otherwise Specified  $\pm 0.3$



No.

Date

Name

Description

Drawn

Checked

Approved

SCI BOM No.

1830449

Model Name

PUSH SWITCH

邱 權

Ruby

李元生

Customer No.

Model No.

SPR13-507MA-05 Rev.

02/17/'11

03/17/'11

03/23/'11

Unit

mm

**SWEETA PRODUCTS CORPORATION**

0