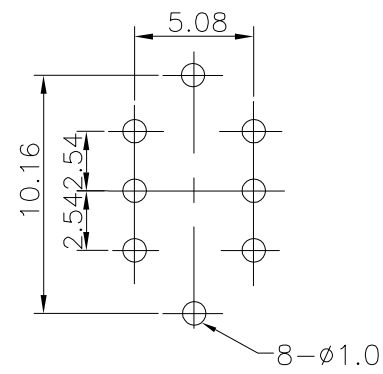


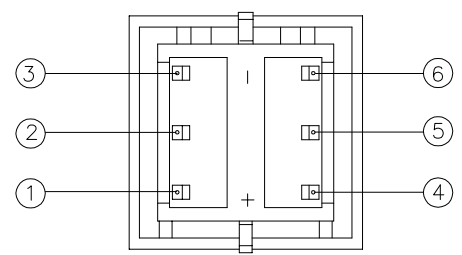
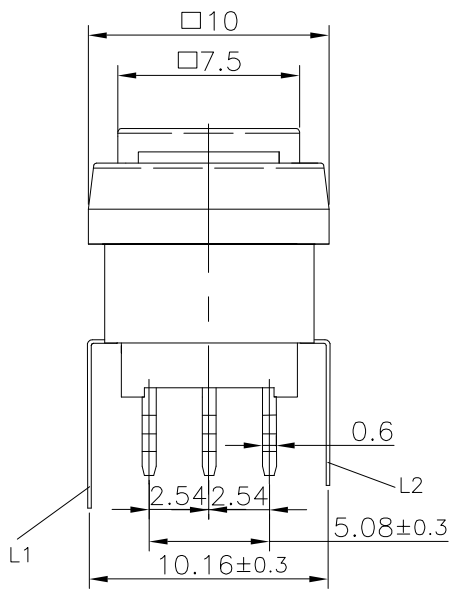
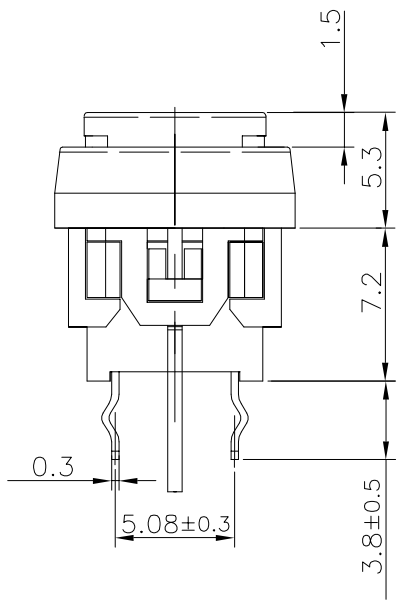
LED COLOR						
1	2	3	4	23	13	12
Red	Yellow	Green	Blue	Yellow Green	Red Green	Red Yellow

P.C.B Layout



Circuit

Type	Switch	Action	Circuit
SPB6131AL	Normal ON	Push to lock OFF	
Connectong Terminal	1 - 2 4 - 5	2 - 3 5 - 6	
SPB6131BL	Normal ON	Push (ON)	
Connectong Terminal	1 - 2 4 - 5	2 - 3 5 - 6	
LED Circuit	L1 L2		



喜威達企業股份有限公司 SWEETA PRODUCTS CORPORATION

0.000°±	0.000	SCALE 3 : 1	EDITION	MATERIAL
0.00°±0.5°	0.00±0.10	APPROVER/DATE	UNIT m/m	PROCESS
0.0°±1°	0.0±0.25	CHECKED/DATE		TYPE NO. SPB6131□L-X
0°±2°	0±0.50	DRAWN/DATE 徐想書 2003.11.24		DRG NO. PB6131□L-X
ANGULAR	LINEAR	TOLERANCE		