
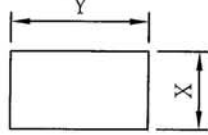
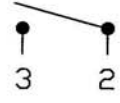
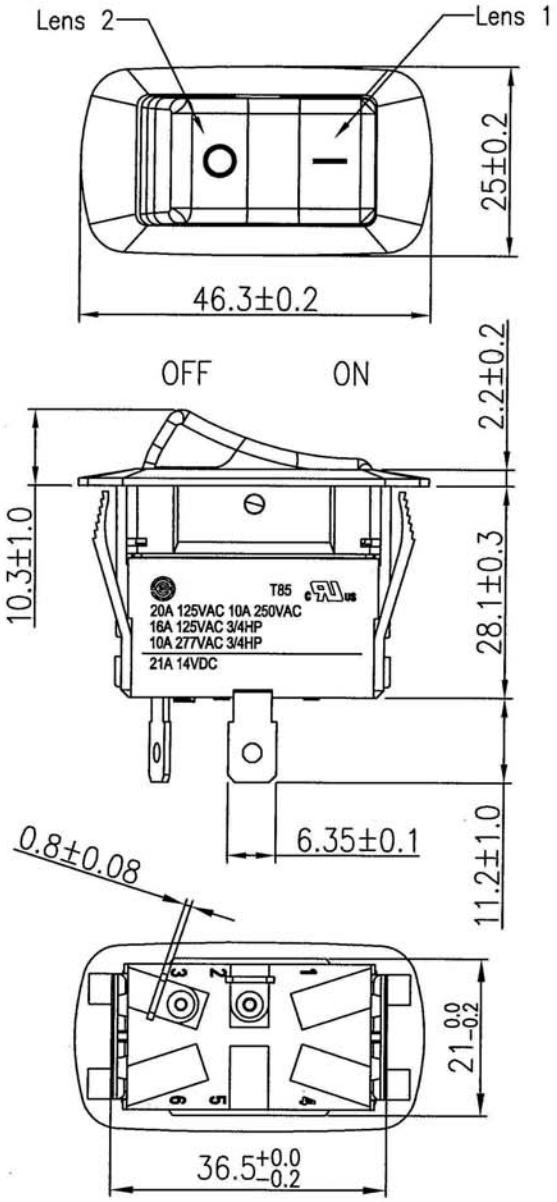
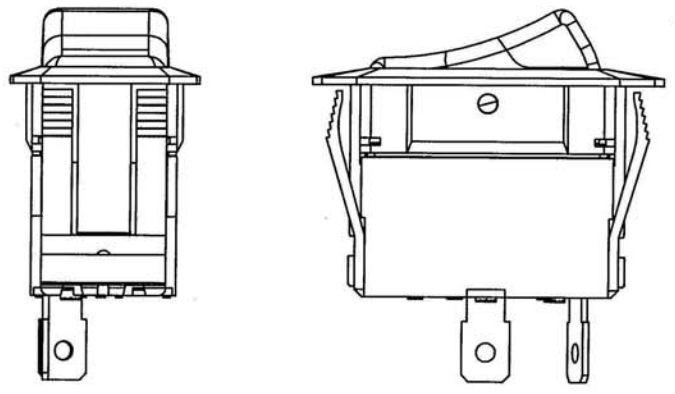
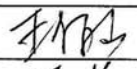


Rating	20A 125VAC 10A 25VAC 16A 125VAC 3/4HP  10A 277VAC 3/4HP	Mounting Hole		Circuit Diagram	
	21A 14VDC				
Contact Resistance	50m ohm Max.				
Insulation Resistance	DC 500V 100M ohm Min.				
Dielectric Strength	AC 1500V 1 minute	Thickness(mm)	X(mm)		Y(mm)
Operation Temperature	-20°~+85°	0.75~1.25	21.2±0.1		36.6 <sup>+0.2</sup> <sub>-0</sub>
Switch Function	2P SPST ON-OFF	1.25~2.0			36.8 <sup>+0.2</sup> <sub>-0</sub>
		2.0~3.0		37.0 <sup>+0.2</sup> <sub>-0</sub>	



\* MATERIAL:  
 Frame: Nylon#66, Black  
 Actuator: Nylon#66 with 33%GF, Black  
 Lens 1: PC, Red  
 Lens 2: PC, Green  
 Printed: White, hot stamping



						△	
						△	
Date	Name	Description				NO	
Drawn	Checked	Approved	SCI BOM NO.	Model Name	ROCKER SWITCH		
曹盈芳			Customer No.	Model No.	SR13-260A5-01-BBRG-NN	REV.	
05/21/'10		5/21/10	Unit	mm	SWEETA PRODUCTS CORPORATION		0